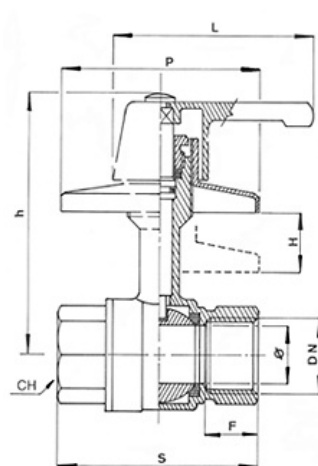




## RIV 5191

Ball valve to embed F/F  
 full bore  
 zinc-alloy lever handle

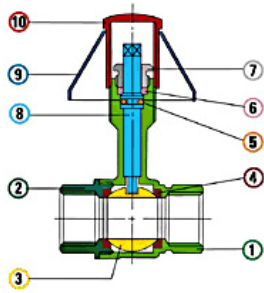
### Tech drawings and tables



DN	Code	Ø	H	h	S	L	F	CH	P	PNP/box	
1/2"	025191000004	15	25	81	58	71	14	26	68	25	8
3/4"	025191000005	20	19	88	70	71	15	32	68	25	6
1"	025191000007	25	18	91	82	71	18	39	68	25	5

## Technical data

Art. 5190



### Materials

1	Body	Brass	Nickel-plated
2	Body end	Brass	Nickel-plated
3	Ball	Brass	Chrome-plated
4	Seats	P.T.F.E.	
5	O-Ring	NBR	
6	Tow packing	P.T.F.E.	
7	Stuffing-Box	Brass	
8	Stem	Brass	
9	Cap	Zinc alloy	Chrome-plated
10	Screwdown	Zinc alloy	Chrome-plated

### Connections

ISO 228/1

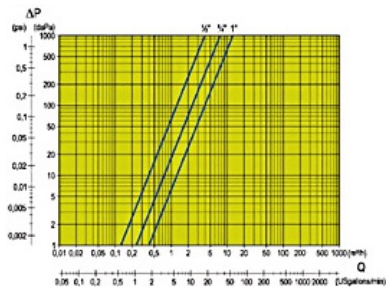
### Limit

-20 °C (without liquid) + 130 °C

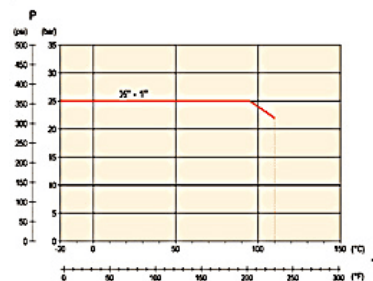
### Notes

The max.working pressure (PN) means at a room temperature of about 23 °C.

## Pressure Loss Chart



## Temperature/Pressure



## Kv & Cv Coefficients

Size	Kv	Cv
1/2"	14,0	16,2
3/4"	27,0	31,0
1"	44,0	51,0